



**FLAME ARRESTER**  
**934-BP/BM 50(40)-2x0,5**  
**INSTRUCTIONS FOR OPERATING AND MAINTENANCE**

REV 1.0

Page 1/5

For the flame arrester (FDS) type 934-BP 50(40)-2x0,5 and 934-BM 50(40)-2x0,5 dimension sheet and pressure drop/volume flow diagram are available.

## 1. Use

The flame arrester type 934-BP 50(40)-2x0,5 and 934-BM 50(40)-2x0,5 complies with the standard EN ISO 16852:2016 "Flame Arresters-Performance requirements, test methods and limits for use".

The general suitability as a deflagration- endurance-burn flame arrester when used with inflammable gas/air mixture and vapour/air mixture of inflammable liquids of the explosion group IIA (gap  $\geq 0,9$  mm) had been verified by tests executed at the Institute for Safety Technology IBExU Freiberg. The results of it were confirmed by the issued EC prototype test certificate **IBExU15ATEX2002\_X**.

It has to be considered that the safe use of pure hydrocarbons is restricted, and an extension of the usage onto other chemicals needs special testing.

On principle, for all cases of use the placement conditions, especially the following limits for the operating pressure and temperature have to be considered:

- permissible operating pressure : atmospheric (0,8bar (absolute) to 1,1bar (absolute))
- permissible operating temperature : -20°C to 60°C

On delivery of the devices the technical parameter of the flame arrester with stating the EC prototype test certificate number are documented in the works test certificate according to EN 10204.

In the declaration of compliance it is referred to the accordance with the harmonized standard EN ISO 16852. The maintenance of the basic safety requirements according to directive 2014/34/EU has been confirmed.

## 2. Construction

934-BP: The FDS consists of a housing of cast steel (1), in which a flame arrester element (3) above set screws (2) and distance bolts (5) is clamped.  
The flame arrester itself consists of a covering flange, a grid cage, a star and two metal foil elements.  
The foil elements have different directions of winding in its gaps. The gap width amounts 0.5 mm.  
For protection against effects of the weather the flame arrester is equipped with a acryl glass cover (6).  
In case of endurance burning the acryl glass cover will burn down completely and nearly free from residue.

934-BM: The FDS also consists of a housing of cast steel (1), in which a flame arrester element (4) above set screws (2) and hexagon nuts (11) is clamped.  
The flame arrester itself consists of a covering flange, a grid cage, a star and two metal foil elements.  
The foil elements have different directions of winding in its gaps. The gap width amounts 0.5 mm.  
For protection against effects of the weather the flame arrester is equipped with a metal sheet cover (12).  
In case of endurance burning a clamp of acryl glass (13) will burn down.  
The metal cover will be opened by torsion springs (15) and (16).  
That is why an unhindered burning down of the inflammable mixture will be possible.

Created By:	RMG	Date: 01.01.14	BS&B FlameSAF Limited, Limerick, Ireland
Approved By:	D. Hennessy	Date: 01.01.14	



**FLAME ARRESTER**  
**934-BP/BM 50(40)-2x0,5**  
**INSTRUCTIONS FOR OPERATING AND MAINTENANCE**

REV 1.0

Page 2/5

### 3. Marking

The information for marking the flame arrester are arranged on the nameplate (page 5/5).  
The following data are indicated:

- nameplate:
- name and address of the manufacturer
  - type (including version number)
  - serial number and year of production
  - number of the certificate (EC prototype certificate-no.)
  - number of relevant standard – ISO 16852
  - specific mark for prevention of explosions in connection with the mark indicating the group of devices II, and the letter “G” (for areas where explosive gas, vapour, air mixtures are available)
  - explosion group
  - CE mark with the number of the indicated inspection authority, which act during production

hazard sign: **Warning Flame arresters have installation and application limits**  
**Type designation in accordance with ISO 16852**

- sign for type of flame arrester: **DEF** (deflagration)
- ratio  $L_v/D$  (distance to ignition source): --- (not applicable)
- burn rate „BC“: **a** (endurance burning)
- burn time  $t_{BT}$  (only for „BC“ b): --- (not applicable)
- explosion group: **IIA**
- operational temperature  $T_0$ : **60°C**
- maximum operational pressure  $p_0$ : **atm.** (atmospheric)

warning note: Note: This flame arrester is safe for endurance burning! The use is restricted to pure hydrocarbons!  
Refer to operating and maintenance instructions!

The metal foil is marked at the outermost wound element, as follows:

- name of the manufacturer
- gap width
- material number
- direction of winding

example: BS&B – 0,5 – 1.4571 – R

### 4. Installation

The arrangement and the installation of the flame arrester into the plant shall be done under observance of the rules applicable to the relevant range of use. Especially the instructions for accident prevention have to be observed. A vertical installation position of the flame arrester has to be kept under any circumstances.

A minimum distance of outlet to external devices has to be adhered, to avoid reduction of volume flow resp. to avoid damage due to flame causing by endurance burning.

This minimum distance depends on local circumstances and has to be specified by operator.

Flame arrester for endurance burning must not be equipped with heat insulation.

In flange version the FDS is equipped with a flange DN50 (DN40) PN16 – shape C or 2” (1 ½) ANSI 150 RF. During flanging pay attention that the sealing face is not damaged and that there is no foreign matter or dirt between the flanges so that a gap effect towards the atmosphere cannot arise.

<b>Created By:</b>	<b>RMG</b>	<b>Date:</b> 01.01.14	<b>BS&amp;B FlameSAF Limited, Limerick, Ireland</b>
<b>Approved By:</b>	<b>D. Hennessy</b>	<b>Date:</b> 01.01.14	



**FLAME ARRESTER**  
**934-BP/BM 50(40)-2x0,5**  
**INSTRUCTIONS FOR OPERATING AND MAINTENANCE**

REV 1.0

Page 3/5

In thread version the FDS is equipped with a pipe internal thread Rp 2 (Rp 1 ½) or NPTF 2 (NPTF 1 ½). For the joint pipe line the suitable tapered outer pipe thread R 2 (R1 ½) resp. NPTF 2 (NPTF 1 ½) is recommended.

Please note: The acryl glass cover is only used for protection of the flame arrester element.  
For transportation or installation the flame arrester shall only be touched on the housing.

## 5. Maintenance

The maintenance includes a periodic visual control of the flame arrester, especially the flame arrester element with regard to contamination and appearance. The intervals for the maintenance works depend on the operating conditions and the kind how the individual media tend to contamination. They are determined by the operator.

For the purpose of cleansing the flame arrester element shall be dismantled.

934-BP: The acryl glass cover (6) had to dismount by loosening the screw (7) and then the flame arrester element (3) by disconnecting the distance bolts (5).

934-BM: The metal sheet cover (12) had to let by loosening the wing bolt (14).  
**(pay attention: Torsion springs will be strained.)**  
The flame arrester element with metal sheet cover can be dismantled by loosening the hexagon nuts (11).

In case of minor contamination the flame arrester element shall be blown up with compressed air or hot vapour. In case of major contamination a flushing with a cleaning agent can be carried out. After cleansing all parts which had been wetted by a cleansing agent; shall be blown dry.

The single metal foil elements of the flame arrester (3) shall not be removed from its housing parts.

The installation of the flame arrester and housing is carried out in reverse order.

During the cleansing works no mechanical modifications may be done on the flame arrester element or on the housing parts of the flame arrester.

On principle, the flame arrester element has to be replaced by a new one, if:

- a fire occurred at the flame arrester element;
- loosening or distortions in the structure of the metal foil elements can be recognized;
- corrosion damages at the metal foil elements have been detected;
- in case of strongly contaminated metal foil elements, even after cleaning, a residual contamination of more than 30 % of the free flow cross-section remained.

All works in connection with the replacement of metal foil elements in a flame arrester element shall be executed only by trained and authorized skilled personnel.

It is recommended to hold a spare flame arrester element ready for each flame arrester.

In case of replacement of structural units only original spare parts listed in the spare parts list may be installed to ensure the required safety.

Created By:	RMG	Date: 01.01.14	BS&B FlameSAF Limited, Limerick, Ireland
Approved By:	D. Hennessy	Date: 01.01.14	



**FLAME ARRESTER**  
**934-BP/BM 50(40)-2x0,5**  
**INSTRUCTIONS FOR OPERATING AND MAINTENANCE**

REV 1.0

Page 4/5

### 6. Spare part list

Table : Spare parts 934-BP 50 (40)

Item No.	Designation	No.	Material	Order-No.
3	Flame arrester element 2x0,5	1	NSt	FET15332570
6	Acryl glass cover	1	K	722003300

Table : Spare parts 934-BM 50 (40)

Item No.	Designation	No.	Material	Order-No.
4 12-16	Flame arrester element 2x0,5 incl.1 cover, pre-assembled	1	NSt	FET15332555

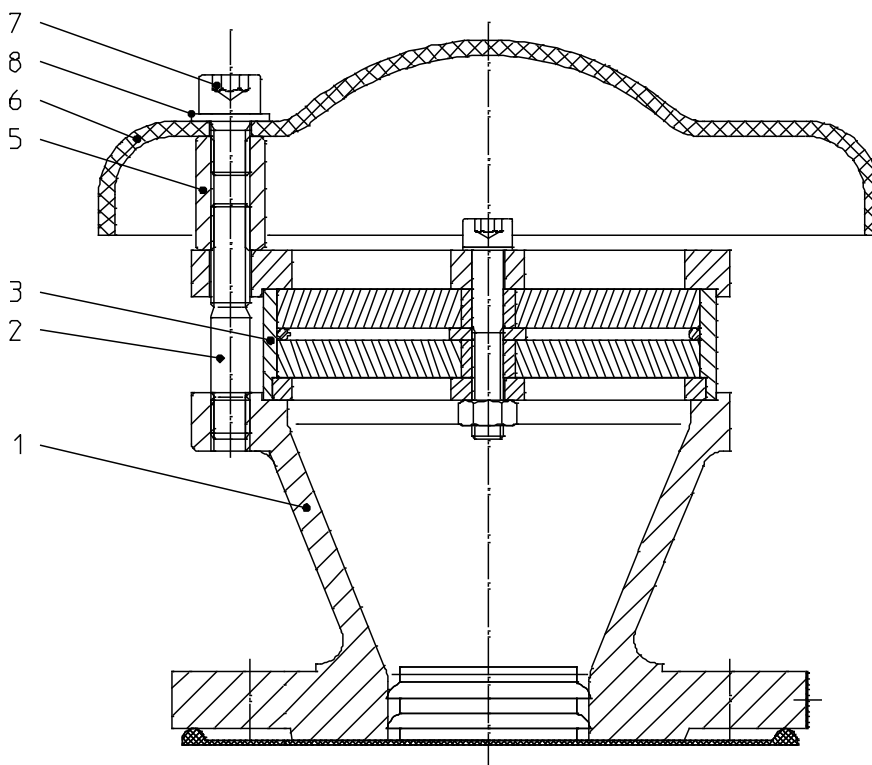
### Material marks

St ... steel

NSt ... stainless steel

K ... plastic (acryl glass)

### Assembly Drawing 934-BP 50(40)-2x0,5



Created By:	RMG	Date: 01.01.14	BS&B FlameSAF Limited, Limerick, Ireland
Approved By:	D. Hennessy	Date: 01.01.14	

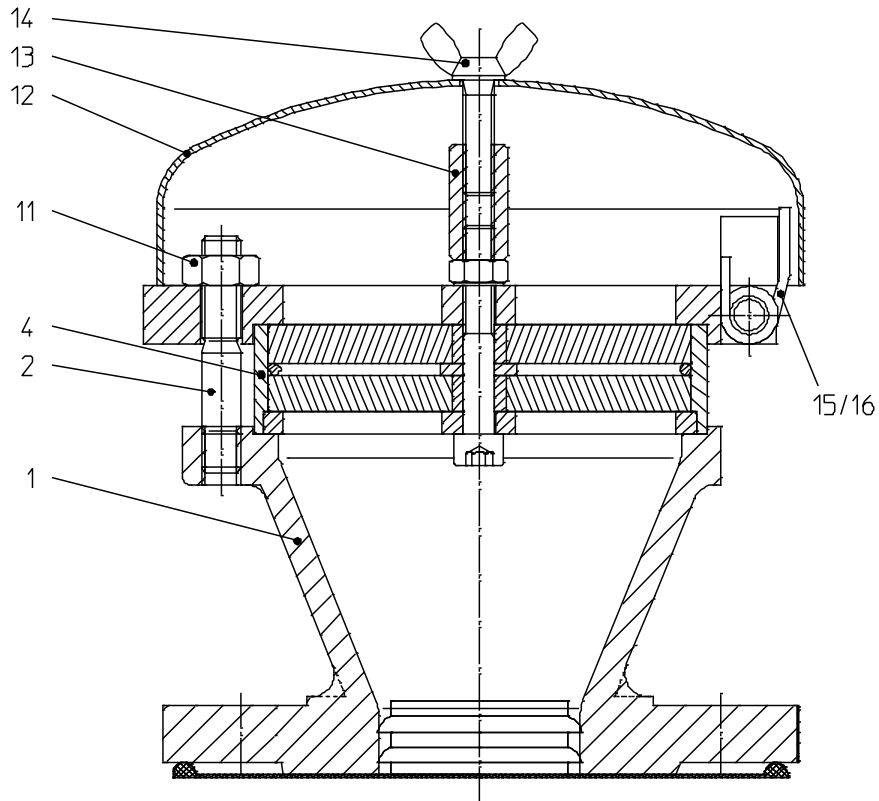


**FLAME ARRESTER**  
**934-BP/BM 50(40)-2x0,5**  
**INSTRUCTIONS FOR OPERATING AND MAINTENANCE**

REV 1.0

Page 5/5

**Assembly Drawing 934-BM 50(40)-2x0,5**



**Hazard sign**

Warning			
Flame arrester have installation and application limits. Type design in accordance with ISO 16852			
DEF	$L_u/D = \text{---}$	BC: a	$t_{BT} = \text{--- min}$
	Ex G IIA	$T_0 = 60 \text{ } ^\circ\text{C}$	$p_0 = \text{atm.}$

**Warning note**

Note: This flame arrester is safe for endurance burning! The use is restricted to pure hydrocarbons! Refer to operating and maintenance instructions!

Created By:	RMG	Date: 01.01.14	BS&B FlameSAF Limited, Limerick, Ireland
Approved By:	D. Hennessy	Date: 01.01.14	