



Lo-to-Flo

Safety Head

BSBSystems.com | BSB.ie
 Visit our website for the most complete, up-to-date information



The BS&B Lo-to-Flo™ safety head protects systems that use high viscosity liquids. Its unique design allows liquid to flow past the surface of the disk, reducing the likelihood of excessive product buildup, which could result in activation of the rupture disk above the desired burst pressure.

Features

- The Lo-to-Flo assembly consists of a body, base, hold down and rupture disk
- Standard ANSI or other international piping connections can be threaded, flanged or weld neck
- Wide variety of materials available
- Available in 1/2 to 6 inch sizes (12.7 - 152.4mm)
- 150 ANSI is the standard flange rating; higher ratings are available upon request
- Lo-to-Flo safety head assembly may use a BS&B type B™ series, D™ series, XT™, XN™, Scored B™ or XN-85™ rupture disk

How to Specify

- Specify body end connections and material
- Specify hold down end connection, flat, threaded or weld neck
- The hold down flange will be exposed to the process media only after the disk ruptures; Therefore, standard materials are normally used (carbon steel, 316ss) although special materials are available upon request
- Indicate if a lining is required

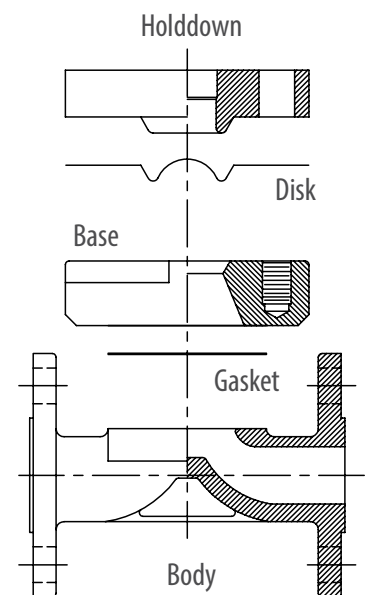
Material Availability	
Standard body material*	Standard lining material*
Cast iron (not available as weldneck)	Glass (not available to line all body types)
Stainless steel	Rubber
Cast steel	Kynar® (not available to line all body types)

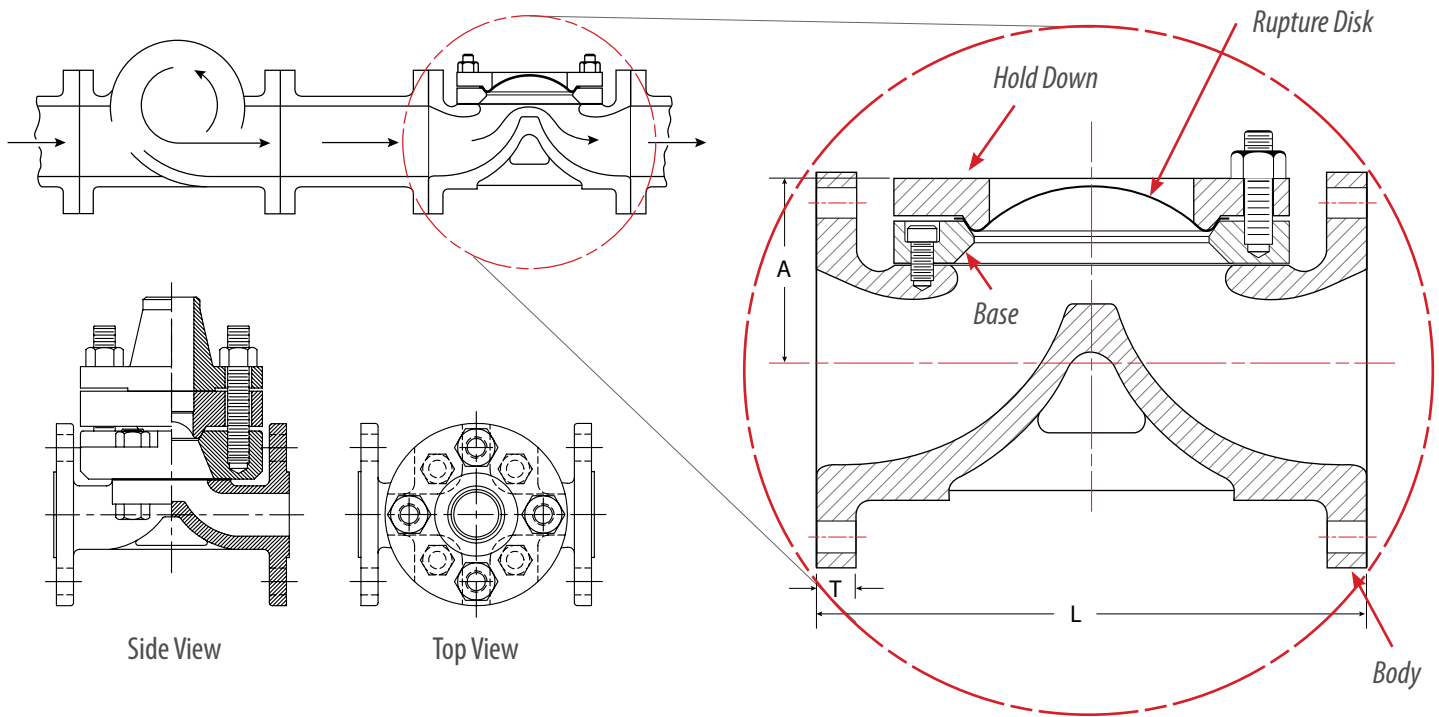
*Other materials available upon request
 Kynar® is the registered trademark of Arkema polyvinylidene fluoride (PVDF) resin.



Industry Applications

- Oil refining
- Chemicals and petrochemicals
- Food processing
- Liquid plastics handling
- Paint manufacturing
- Plastic manufacturing
- Pulp and paper
- Air flow systems handling slurries
- Sludge pumps
- Acid reclamation or manufacturing
- Pump protection on viscous fluids





Specifications for Lo-to-Flo Safety Head

Dimensions* (with unlined flanged body)									
Nominal size		ANSI rating	L		T		A		
in	mm		in	mm	in	mm	in	mm	
0.5	13	150	4	100	0.38	9.5	1.75	44	
1	25	150	5.5	140	0.44	11	2.25	57	
1.5	40	150	6.5	165	0.56	14	2.63	67	
2	50	150	7.5	190	0.63	16	3.31	84	
3	80	150	10	254	0.75	19	4.37	111	
4	100	150	12.5	320	0.94	24	4.34	110	
6	150	150	16	406	1	25	6.25	159	

*Dimensions are approximate. The Dimensions shown are for an ANSI 150 flange with unlined safety head, a 30 degree seat and flat hold down. For other configurations, contact BS&B for dimensions. Always request approval and certified drawings.

Chennai, India

T: +91 44 2450 4200
F: +91 44 2450 1056
E: sales@bsbsystems.com

Edmonton, AB Canada

T: +1 780 955 2888
F: +1 780 955 3975
E: contacts@bsbprocess.com

Frankfurt, Germany

T: +49 6022 26 2310
F: +49 6022 26 2311
E: info@bsbsystems.de

Houston, TX USA

T: +1 713 682 4515
F: +1 713 682 5992
E: sales@bsbsystems.com

Limerick, Ireland

T: +353 61 517000
F: +353 61 309689
E: info@bsbflamearrestor.ie

Manchester, UK

T: +44 0 161 955 4202
F: +44 0 161 870 1086
E: sales@bsb-systems.co.uk

Minneapolis, MN USA

T: +1 952 941 0146
F: +1 952 941 0646
E: sales@bsbipd.com

Monterrey, Mexico

T: +011 52 81 1958 0560
F: +011 52 81 1958 0560 138
E: sales@bsbsystems.com

Moscow, Russia

T: +7 495 747 5916
F: +7 499 133 4394
E: sales@bsbsystems.ru

Sao Paulo, Brazil

T: +55 11 2084 4800
F: +55 11 2021 3801
E: sales@bsbbrasil.com

Shanghai, China

T: +86 21 6391 2299
F: +86 21 6391 2117
E: sales@bsbsystems.com

Singapore

T: +65 6513 9780
F: +65 6484 3711
E: sales@bsb.com.sg

Tulsa, OK USA

T: +1 918 622 5950
F: +1 918 665 3904
E: sales@bsbsystems.com

United Arab Emirates

T: +971 2406 9603
F: +971 2406 9810
E: sales@bsbsystems.ae

Yokohama, Japan

T: +81 45 450 1271
F: +81 45 451 3061
E: information@bsb-systems.co.jp



Products, specifications and all data in this literature are subject to change without notice. Questions regarding product selection and specifications for specific applications should be directed to BS&B. All sales are subject to the BS&B standard terms and conditions of sale. Nothing herein should be construed as a warranty of merchantability or fitness for a particular purpose.

© 2016 April BS&B Innovations, Limited.



UD